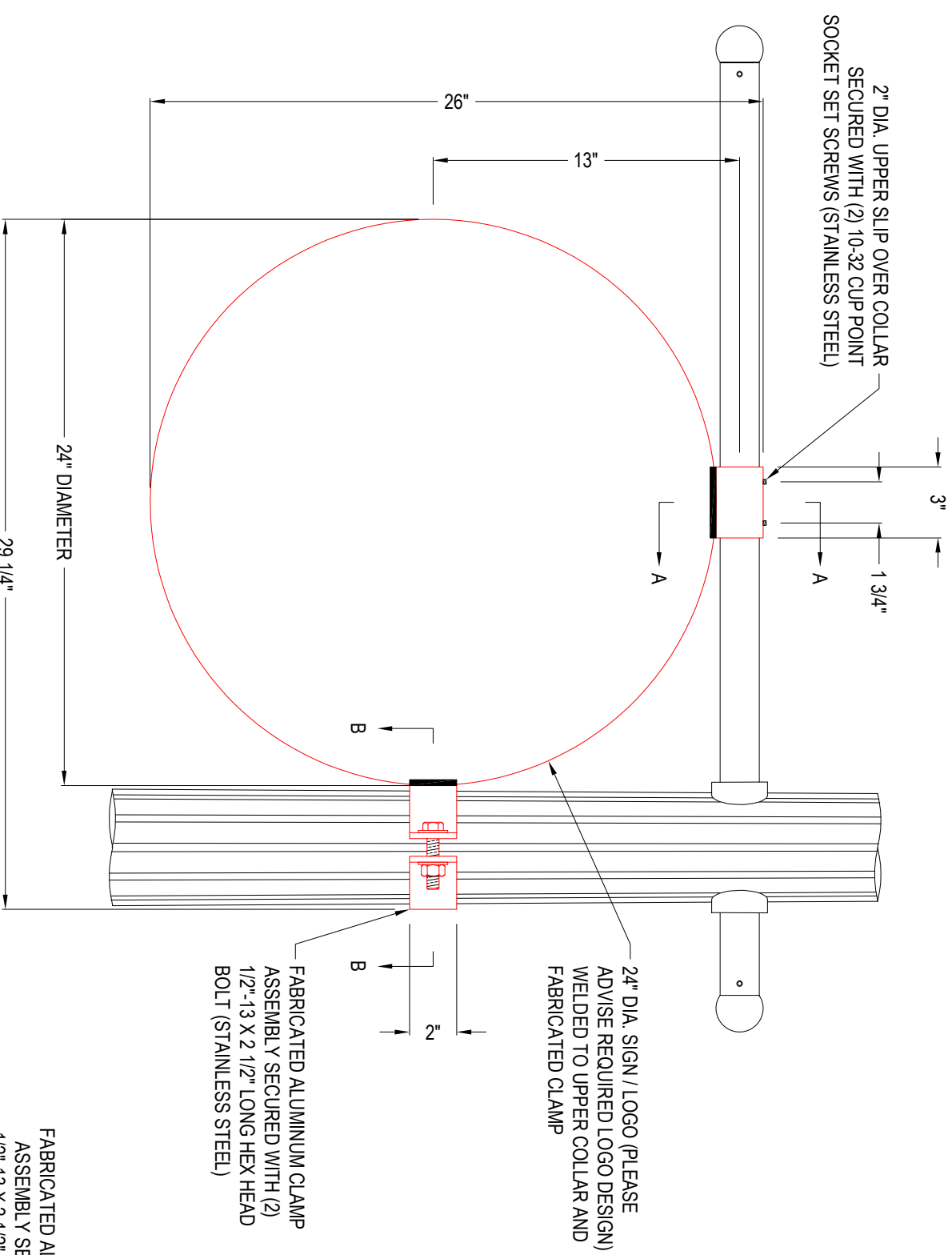
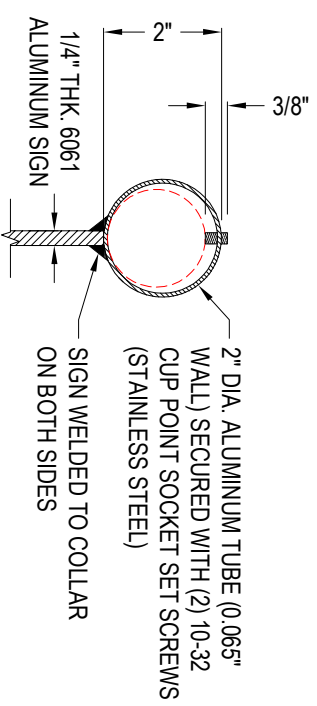


This drawing is property of Spring City Elect. Mfg. and is issued to the recipient with the understanding that it shall not be copied, duplicated, passed on to unauthorized parties, nor used for any purpose other than that for which it is specifically furnished except with Spring City's written permission.



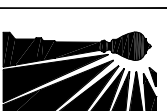
SECTION A-A
CROSS SECTION SLIP COLLAR
N.T.S.



SECTION A-A
CROSS SECTION OF CLAMP MOUNTED SIGN BRACKET
N.T.S.

SIGN BRACKET SPECIFICATIONS

- STYLE:** CLAMP MOUNTED SIGN BRACKET ASSEMBLY FOR LA CROSSE, WI
- HEIGHT:** 26" OVERALL
- WIDTH:** 29 1/4" OVERALL
- MATERIAL:**
- COLLAR: 2" DIA. 6061 ALUMINUM TUBE (0.065" WALL)
 - SIGN: 1/4" THK. 6061 ALUMINUM
 - CLAMP: TWO PIECE, 1/4" THK. FABRICATED 6063 ALUMINUM
- FINISH:** POWDER COAT - RIVER TEXTURE GLOSS BLACK
- CATALOG NO.:** SUB-0002970-CU



Spring City Electrical Mfg. Co.
HALL AND MAIN STREETS - P.O. BOX 19 - SPRING CITY, PA. 19475
PHONE (610) 948-4000 - FAX (610) 948-5577 - WWW.SPRINGCITY.COM

DESCRIPTION	CLAMP MOUNTED SIGN BRACKET ASSEMBLY FOR LA CROSSE, WI		
OPPORTUNITY	LA CROSSE, WI		

SCALE	DRAWN BY:	DATE	DRAWING NO.
N.T.S.	B.K.R.	05-24-2022	MSC-33716